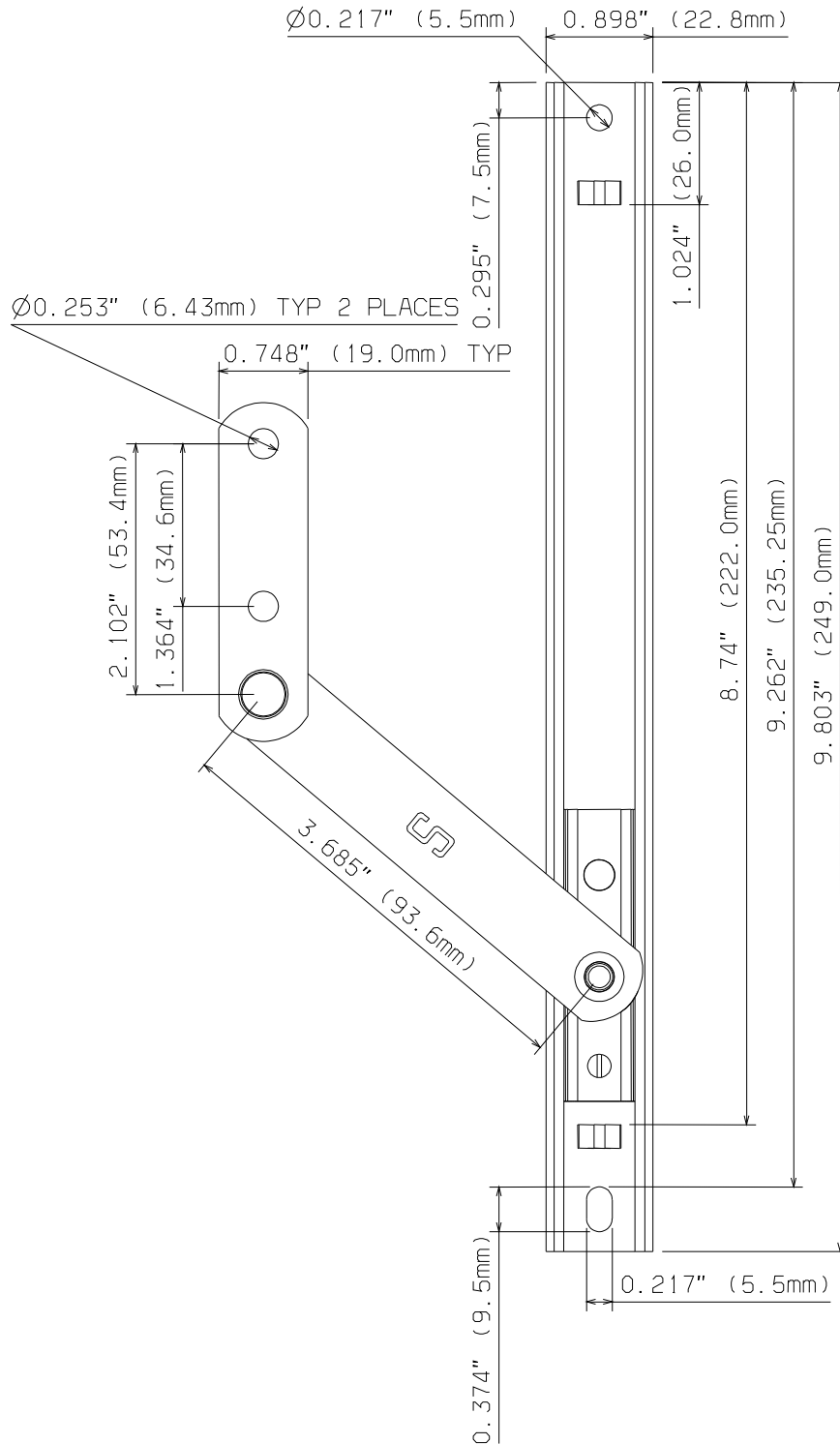


# ANCILLARY DEVICES

## ASSEMBLY SHEET - SR4

### Restrictor Stay



**Not to Scale, All dimensions in inches & mm**

It is the responsibility of the user to ensure that this document is at the latest issue.

Due to our policy of continual product improvement we reserve the right to alter specifications without notice.

It is the responsibility of the window manufacturer to ensure that the finished window meets the required performance and safety specification.



# ANCILLARY DEVICES

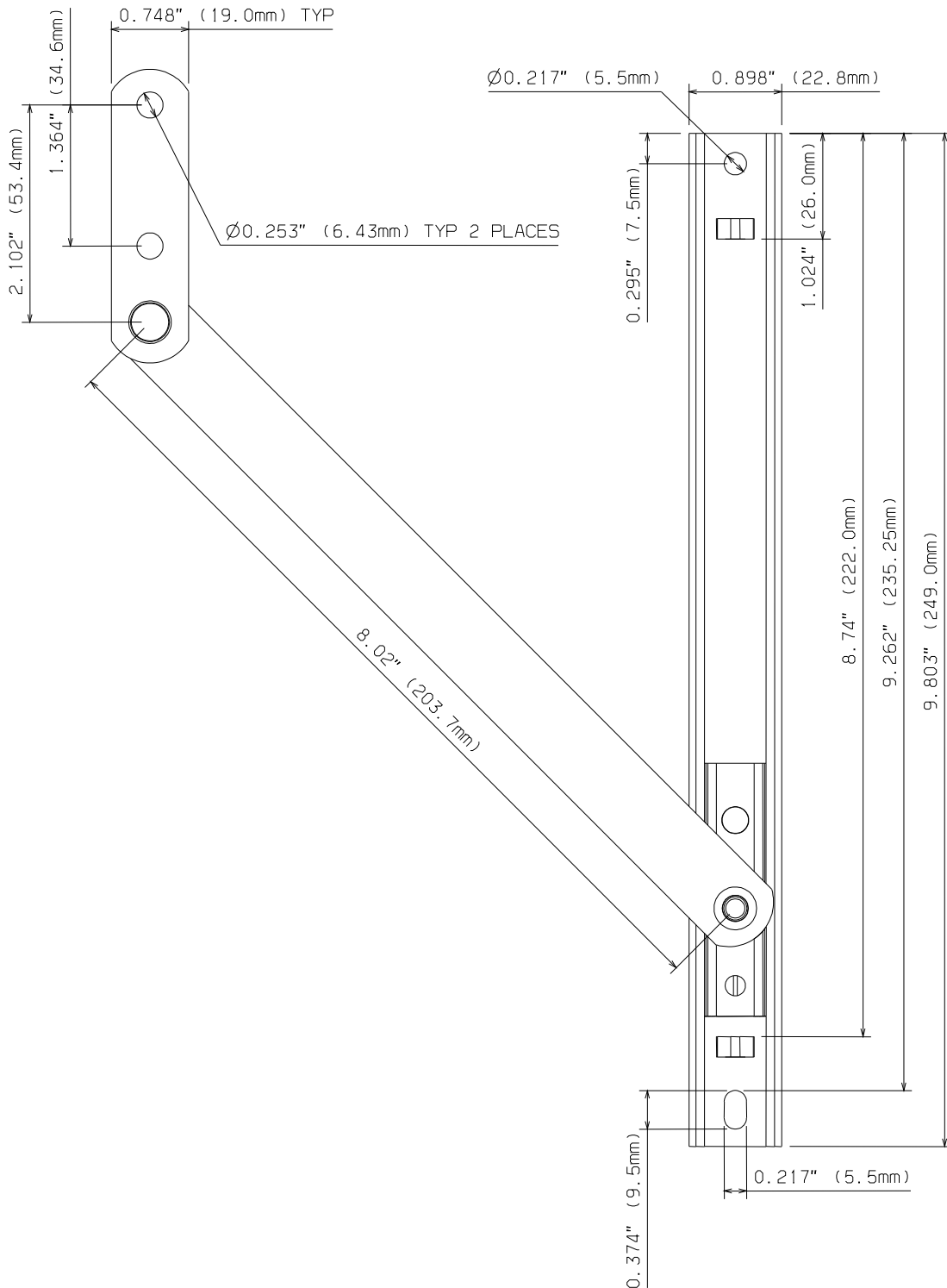
RESTRICTOR STAYS

SECTION 2.4 SHEET 5 of 11

ISSUE: May, 2003

## ASSEMBLY SHEET - SR8

### Restrictor Stay



**Not to Scale, All dimensions in inches & mm**

It is the responsibility of the user to ensure that this document is at the latest issue.

Due to our policy of continual product improvement we reserve the right to alter specifications without notice.

It is the responsibility of the window manufacturer to ensure that the finished window meets the required performance and safety specification.

© SECURISTYLE LTD 2003



Securistyle Ltd.  
Kingsmead Industrial Estate  
Princess Elizabeth Way, Cheltenham,  
Gloucestershire, GL51 7RE  
Tel: +44 (0) 1242 221200  
Fax: +44 (0) 1242 520828  
Web: www.securistyle.co.uk

# ANCILLARY DEVICES

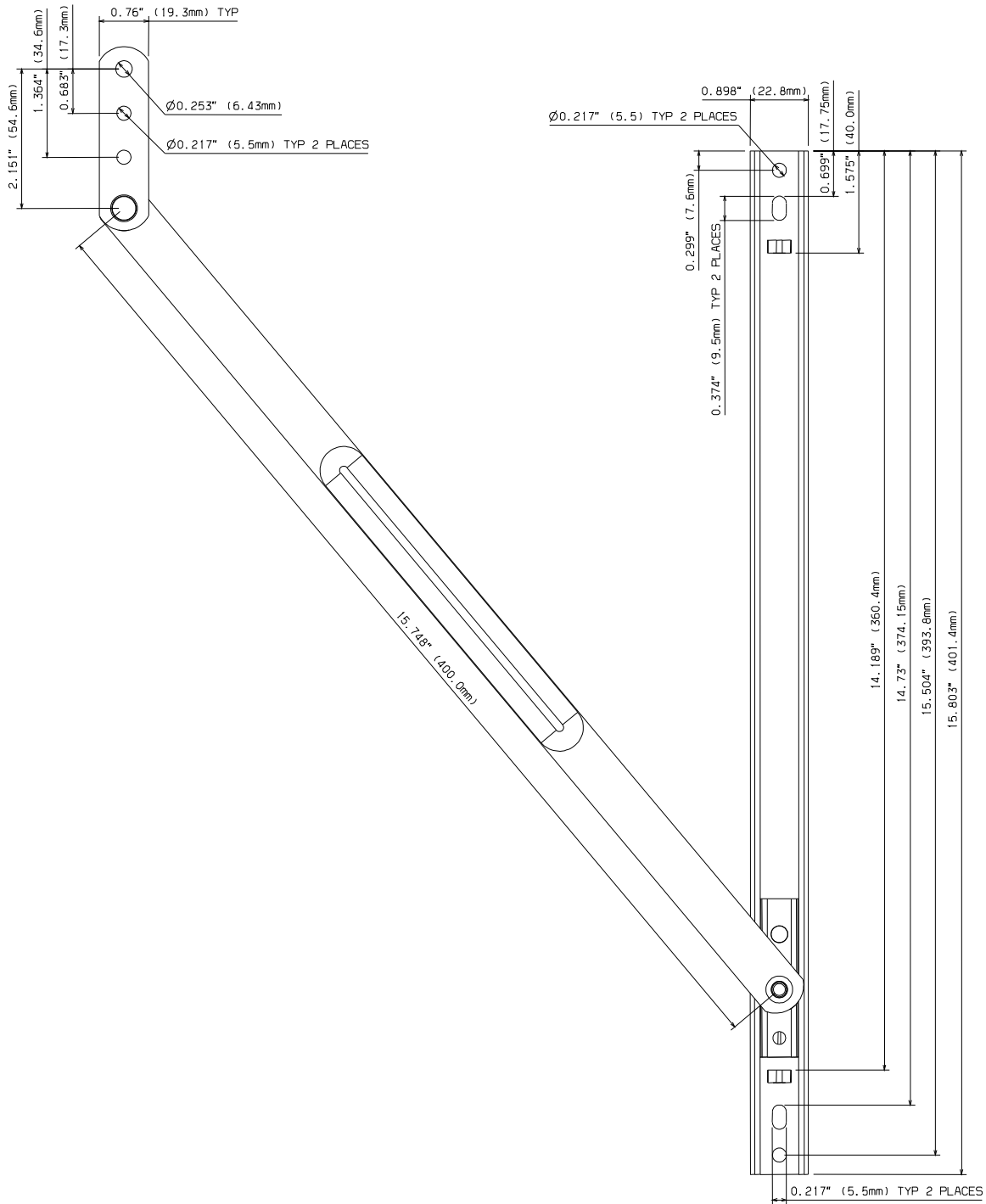
RESTRICTOR STAYS

SECTION 2.4 SHEET 7 of 11

ISSUE: May, 2003

## ASSEMBLY SHEET - SR16BAC

### Restrictor Stays



**Not to Scale, All dimensions in inches & mm**

It is the responsibility of the user to ensure that this document is at the latest issue.

Due to our policy of continual product improvement we reserve the right to alter specifications without notice.

It is the responsibility of the window manufacturer to ensure that the finished window meets the required performance and safety specification.

© SECURISTYLE LTD 2003



Securistyle Ltd.  
Kingsmead Industrial Estate  
Princess Elizabeth Way, Cheltenham,  
Gloucestershire, GL51 7RE  
Tel: +44 (0) 1242 221200  
Fax: +44 (0) 1242 520828  
Web: www.securistyle.co.uk