



**STORM BALANCED
TYPE
HEAVY DUTY FRICTION HINGE
BENEFIT**

A self-balancing hinge range capable of achieving high gust loading

12
YEAR GUARANTEE*

- Self-balancing hinge range
- Capable of achieving high gust loading
- Unrivalled weather sealing
- Low inventory non balancing range option
- Austenitic 304* stainless steel throughout for enhanced corrosion resistance
- Superior Carrying Capacity
- 12 year guarantee (details available upon request)



The Storm hinge range has been designed to exceed the requirements of AAMA 101/I.S.2 - 08, specifically high gust load rating. In addition to exceeding this high performance standard, Storm also benefits from excellent weather sealing from its asymmetric metal point and cap as well as smooth reliable operation.

Full technical and sales support which will cover consultancy on a per project basis and on-site advice when necessary.

**austenitic
304**

* Austenitic (was 304) stainless steel to BS EN 10088-2 Grade 1.4301 for enhanced corrosion resistance

▼ HEAVY DUTY FRICTION SLIDERS
Stainless steel composite sliders to give maximum strength yet perform with the smoothest of action

▼ OPTIONAL ADJUSTMENT
One man, on site, vent alignment adjustment.

▲ STEEL END LOCATOR
A stainless steel end cap automatically directs the end point smoothly and firmly towards the closed position



Manufactured in the UK

Securistyle

Kingsmead Industrial Estate, Princess Elizabeth Way
Cheltenham, Gloucestershire GL51 7RE, UK

Tel: +44 (0) 1242 221200

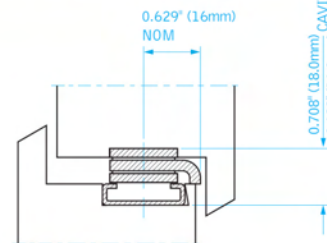
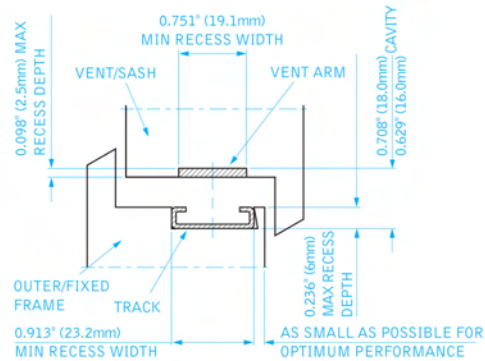
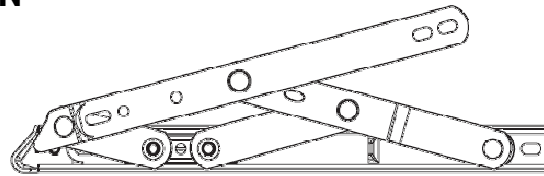
Fax: +44 (0) 1242 228194/520828

E-mail: info@securistyle.co.uk
Website: www.securistyle.co.uk



PRODUCT SPECIFICATION

- Storm Egress variant available, allowing casement windows to open to a full 90° for emergency exit
- Complies to the requirements of AAMA 904 – 09, 910 – 10 and 101/I.S.2 – 08
- Available in 10", 12", 16", 22" and 26" awning and 10" and 16" casement windows
- Suitable for vents 10.5" to 7'3" high
- Standard, offset and highline variants available
- Composite slider
- Storm BS10 and BS16 available as loose rivet variants



NOTE ADDITIONAL LINK FORM ON STORMB26 HINGES ONLY.

OPTIONAL FEATURES

- Add on adjustment device

Note: Pivot design provides additional friction at angles of 10° or less. However, it may be necessary to fit additional separate device(s) on awning vents to enable them to remain in a selected ventilation position.

12
YEAR GUARANTEE

STORM BALANCED

Hinge Code Awning (Top Hung)	Hinge Length (mm/in)	Max Vent Weight (Kg/ lb)	Max Vent Height (mm/in)	Min Vent Height (mm/in)	Opening Angle (+/- 2.5°)	Number of Cycles (‘000’s)
STORMB10	262/10	37/81	635/25.0	267/10.5	50°	10
STORMB12	313/12	45/99	787/30.9	635/25.0	50°	10
STORMB16	415/16	55/121	1090/42.9	787/30.9	50°	10
STORMB22	567/22	75/165	1500/59.0	1090/42.9	45°	10
STORMB26*	680/26	120/264	2200/87.0	1270/50.0	20°	10
Casement (Side Hung)			Max Vent Width	Min Vent Width		
STORMBS10	262/10	38/83	665/26.0	280/11.0	80°	10
STORMBS16	415/16	47/103	838/33.0	457/18.0	90°	10

STORM EGRESS

Hinge Code Casement (Side Hung)	Hinge Length (mm/in)	Max Vent Weight (Kg/lb)	Max Vent Width (mm/in)	Min Vent Width (mm/in)	Opening Angle (+/- 2.5°)	Number of Cycles (‘000’s)
STORME16	415/16.3	47/103	838/33	450/18.0	90°	10

*Vents of 100kg or more must be fitted with S7280 cam adjustment devices, which are optional on lighter vents.

Separate restrictors (SR6, SR8, SR10 or SR16BAC pair), vent holding devices (SOR type restrictors) or an operating mechanism may be required to hold large vents in a selected ventilation position against variable wind pressure.



Due to our policy of continual improvement we reserve the right to alter specifications without notice. It is the responsibility of the window manufacturer to ensure that the finished window meets the required performance and safety specification.

All transactions are subject to our standard conditions of supply, which are available on request.

Securistyle

Kingsmead Industrial Estate, Princess Elizabeth Way
Cheltenham, Gloucestershire GL51 7RE, UK

Rev 6 – Jan 2014 - ©

An ASSA ABLOY Group Brand

Tel: +44 (0) 1242 221200

Fax: +44 (0) 1242 228194/520828

E-mail: info@securistyle.co.uk
Website: www.securistyle.co.uk

ASSA ABLOY